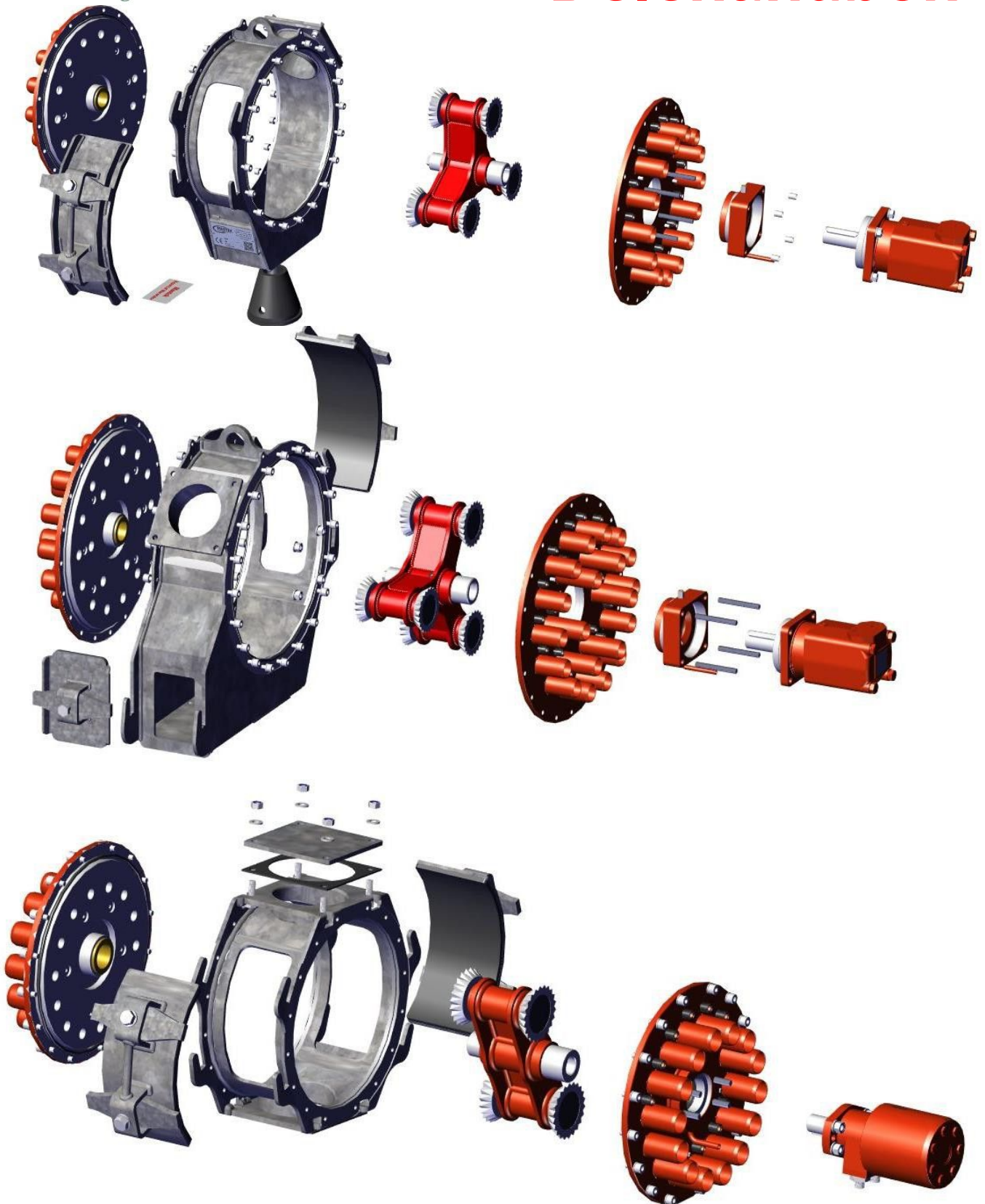




# Macerator Delehåndbok



Denne delehåndboken gjelder for alle maskinene som er oppført nedenfor, inkludert forskjellige monteringsrammer og ekstrautstyr

Maskinstørrelse	Delenummer
Micro-macerator enkel dør	MSA02672
Micro-macerator dobbel dør	MSA03450
28 Utløp macerator	MSA01076
40 Utløp macerator uten steinrist	MSA01525
40 Utløp macerator med steinrist	MSA03692
48 Utløp macerator uten steinrist	MSA01080
48 Utløp macerator med steinrist	MSA01080*

\*Dette delenummeret kan ha forskjellige varianter; det kan dekke forskjellige monteringsstiler og tilleggsutstyr.

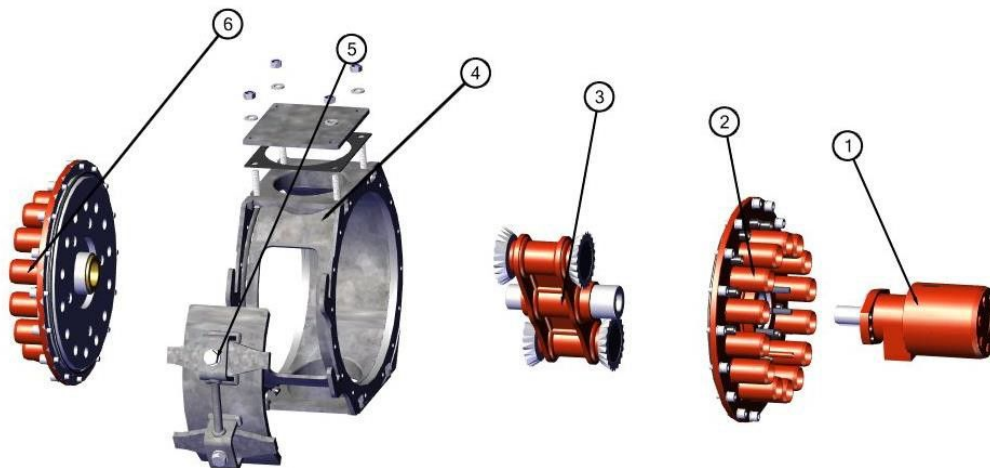
# Innhold

Macerator-reservedeler.....	1
Oversikt.....	1
Micro-macerator enkel dør MSA02672.....	1
Micro-macerator dobbel dør MSA03450.....	1
28 Utløp Macerator MSA01076.....	2
40 Utløp macerator uten steinrist MSA01525.....	2
40 Utløp macerator med steinrist MSA03692.....	3
48 Utløp macerator uten steinrist MSA01080.....	3
48 Utløp macerator med steinrist MSA01080* .....	4
Senternav.....	5
Vanlige maceratorer MSA00787.....	5
Micro-maceratorer MSA02679.....	5
Karosseri og tilgangsdører.....	6
Vanlig macerator uten steinrist.....	6
Vanlig macerator med steinrist.....	7
Micro-macerator enkel dør.....	8
Micro-macerator dobbel dør.....	8
Motor og isolasjonsblokk (vanlig macerator).....	9
Sideplater (vanlig macerator).....	9
Sideplate motorside 28 utløp.....	10
Sideplate venstre side 28 utløp.....	10
Sideplate motorside 40 utløp.....	11
Sideplate venstre side 40 utløp.....	11
Sideplate motorside 48 utløp.....	12
Sideplate venstre side 48 utløp.....	12
Sideplater (Micro-macerator).....	12
Sideplate motorside Micro-macerator.....	13
Sideplate venstre side Micro-macerator.....	13
Merknader.....	14

# Macerator-reservedeler

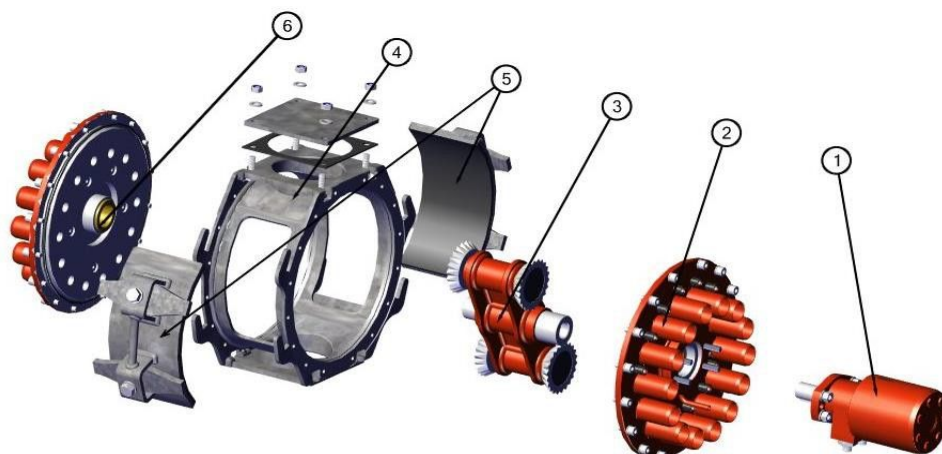
## Oversikt

### Micro-macerator enkel dør MSA02672



Number	Description	PartNo
1	MICRO MACERATOR MOTOR - TORQMOTOR TG 405	MS008669
2	MICRO MACERATOR SIDEPLATE ASSEMBLY	MSA02673
3	CENTRE HUB ASSEMBLY FULL ASSEMBLY	MSA02679
4	GALVANISED MICRO MACERATOR CARCAS	MS008249
5	ACCESS DOOR FULL ASSEMBLY	MSA02682
6	MICRO MACERATOR SIDEPLATE ASSEMBLY	MSA02685

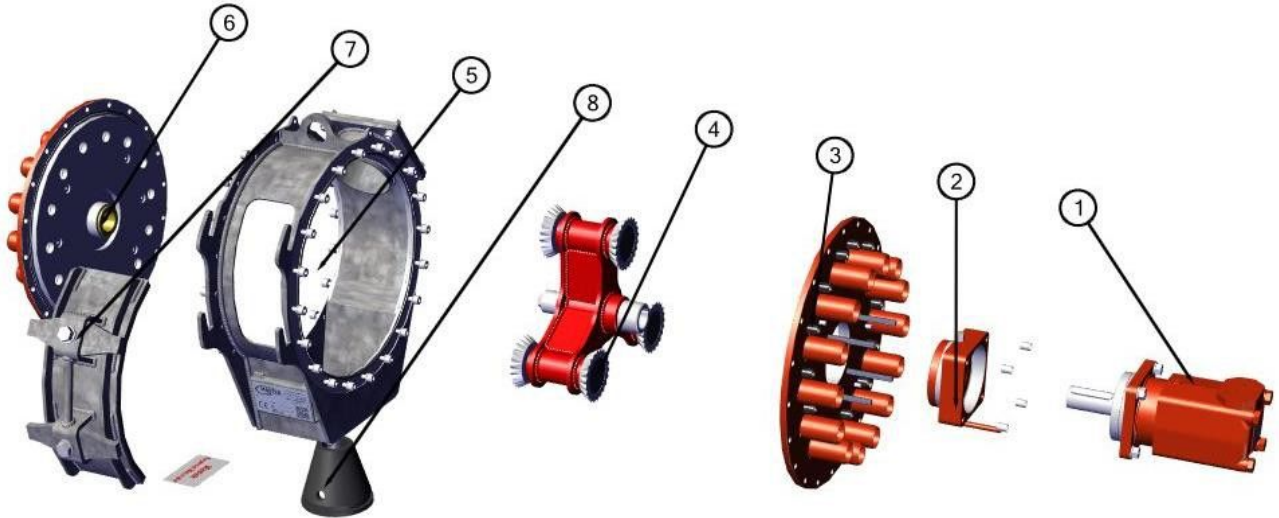
### Micro-macerator dobbel dør MSA03450



Number	Description	PartNo
1	MICRO MACERATOR MOTOR - TORQMOTOR TG 405	MS008669
2	MICRO MACERATOR SIDEPLATE ASSEMBLY	MSA02673
3	CENTRE HUB ASSEMBLY FULL ASSEMBLY	MSA02679
4	GALVANISED MICRO MACERATOR CARCAS	MS010179
5	ACCESS DOOR FULL ASSEMBLY	MSA02682
6	MICRO MACERATOR SIDEPLATE ASSEMBLY	MSA02685

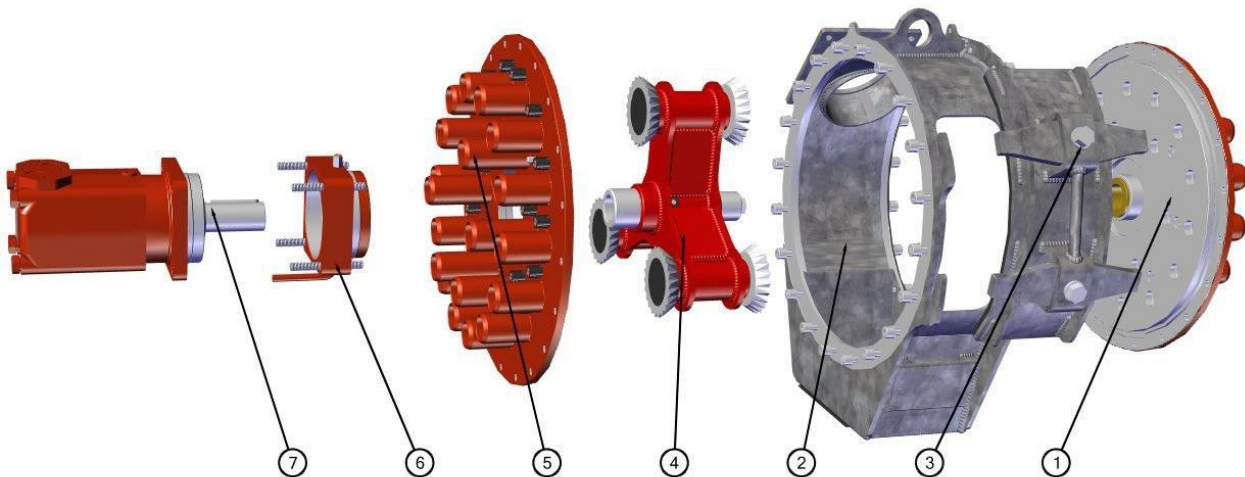


## 28 Utløp Macerator MSA01076



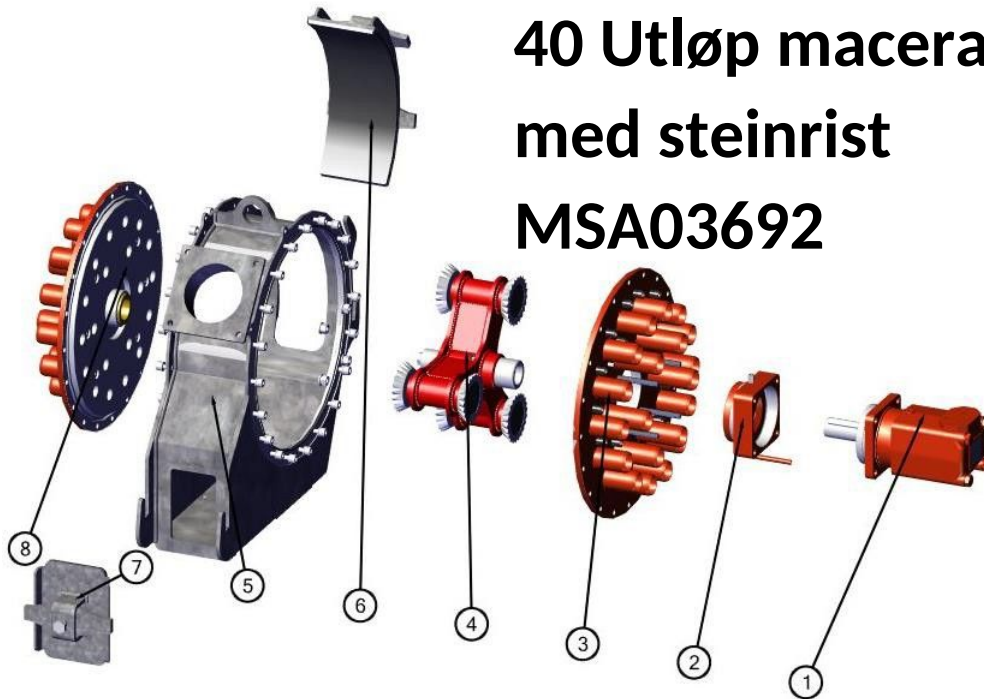
Number	Description	PartNo
1	HAC-OMT315CD (317CC) PAINTED RAL 2002	MS003168
2	HAC-OMT315CD ADAPTER FULL ASSEMBLY	MSA02050
3	TMDB SIDEPLATE (MK4-A) MOTOR MOUNT SIDE	MS003145
4	CENTRE HUB ASSEMBLY MK4-C (FULL)	MSA00787
5	MACERATOR CARCAS MK4-B (MACHINED)	MS003978
6	TMDB SIDEPLATE (MK4-A) NON-DRIVE SIDE	MS003108
7	MACERATOR ACCESS DOOR MK4-B ASSEMBLY (FULL)	MSA01339
8	MACERATOR BASE FLOW REDUCER (140)	MS003207

## 40 Utløp macerator uten steinrist MSA01525



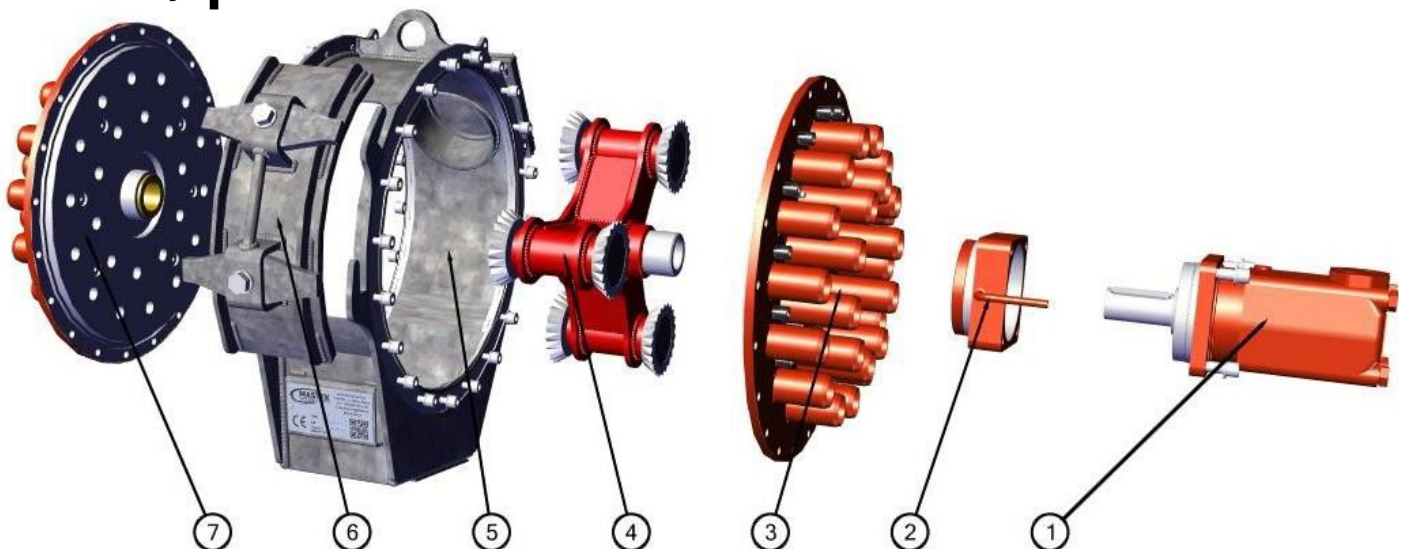
Number	Description	PartNo
1	10M SIDEPLATE (MK4-A) NON-DRIVE SIDE	MS003256
2	MACERATOR CARCAS MK4-B (MACHINED)	MS003978
3	MACERATOR ACCESS DOOR MK4-B ASSEMBLY (FULL)	MSA01339
4	CENTRE HUB ASSEMBLY MK4-C (FULL)	MSA00787
5	10M SIDEPLATE (MK4-A) MOTOR MOUNT SIDE	MSA00783
6	HAC-OMT315CD ADAPTER FULL ASSEMBLY	MSA02050
7	HAC-OMT315CD (317CC) PAINTED RAL 2002	MS003168

# 40 Utløp macerator med steinrist MSA03692



Number	Description	PartNo
1	HAC-OMT315CD (317CC) PAINTED RAL 2002	MS003168
2	HAC-OMT315CD ADAPTER FULL ASSEMBLY	MSA02050
3	10M SIDEPLATE (MK4-A) MOTOR MOUNT SIDE	MSA00783
4	CENTRE HUB ASSEMBLY MK4-C (FULL)	MSA00787
5	GALVANISED CARCASS MACHINED	MS010759
6	MACERATOR ACCESS DOOR MK4-B ASSEMBLY (FULL)	MSA01339
7	MACERATOR INSPECTION DOOR ASSEMBLY	MSA00271
8	10M SIDEPLATE (MK4-A) NON-DRIVE SIDE	MS003256

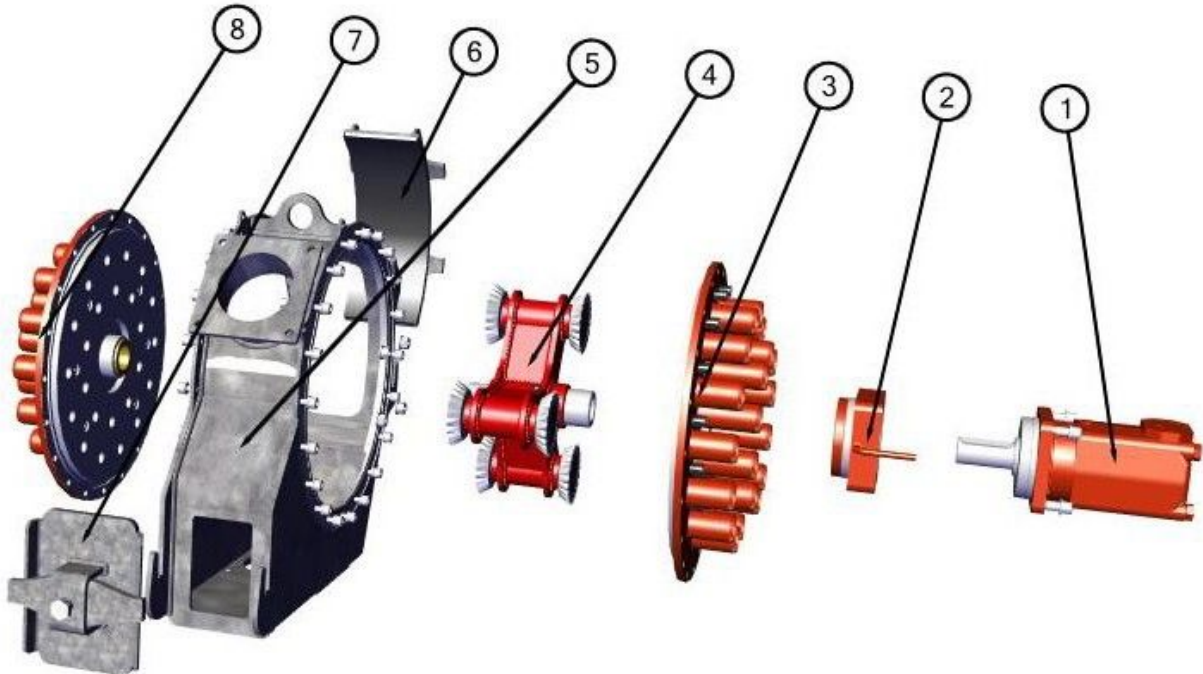
# 48 Utløp macerator uten steinrist MSA01080



Number	Description	PartNo
1	HAC-OMT315CD (317CC) PAINTED RAL 2002	MS003168
2	HAC-OMT315CD ADAPTER FULL ASSEMBLY	MSA02050
3	12M D.B. SIDEPLATE (MK4-A) MOTOR MOUNT SIDE	MS003186
4	CENTRE HUB ASSEMBLY MK4-C (FULL)	MSA00787
5	MACERATOR CARCAS MK4-B (MACHINED)	MS003978
6	MACERATOR ACCESS DOOR MK4-B ASSEMBLY (FULL)	MSA01339
7	12M SIDEPLATE (MK4-B) NON-DRIVE SIDE	MS003715

# 48 Utløp macerator med steinrist

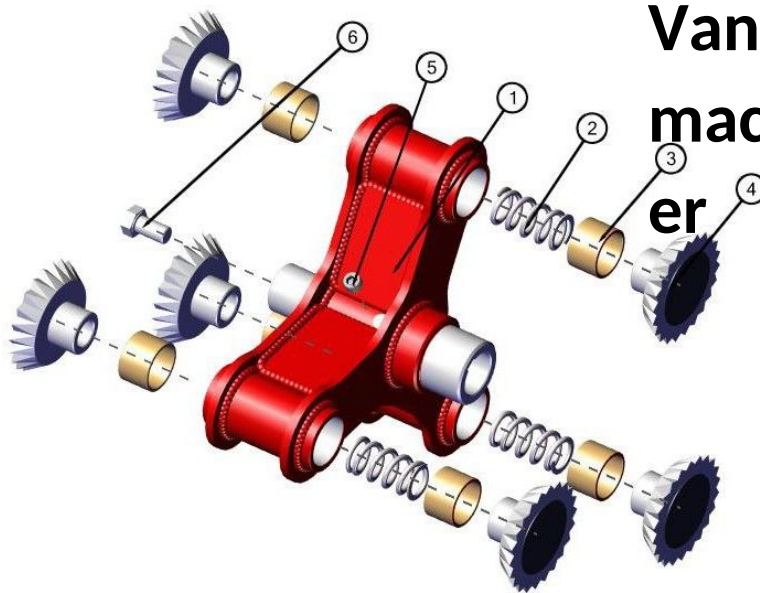
## MSA01080\*\*



Number	Description	PartNo
1	HAC-OMT315CD (317CC) PAINTED RAL 2002	MS003168
2	HAC-OMT315CD ADAPTER FULL ASSEMBLY	MSA02050
3	12M D.B. SIDEPLATE (MK4-A) MOTOR MOUNT SIDE	MS003186
4	CENTRE HUB ASSEMBLY MK4-C (FULL)	MSA00787
5	GALVANISED CARCASS MACHINED	MS010759
6	MACERATOR ACCESS DOOR MK4-B ASSEMBLY (FULL)	MSA01339
7	MACERATOR INSPECTION DOOR ASSEMBLY	MSA00271
8	12M SIDEPLATE (MK4-B) NON-DRIVE SIDE	MS003715



# Senternav

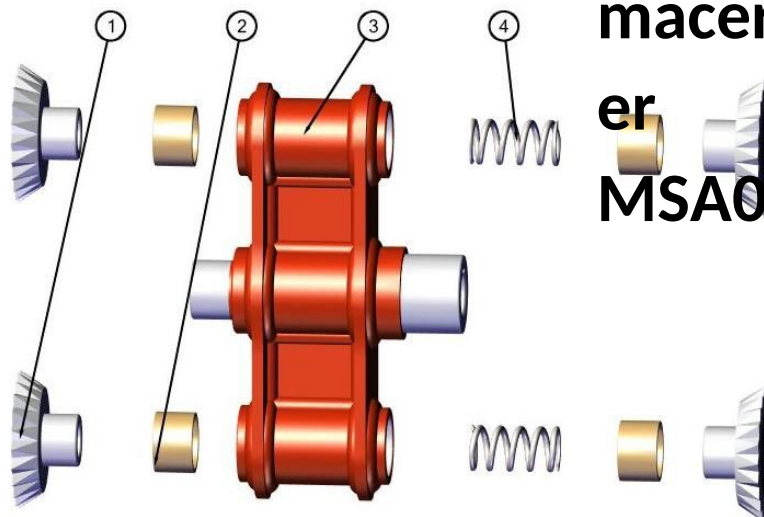


## Vanlige maceratorer

Number	Description	PartNo
1	MSA01532 PAINTED RAL 2002	MS004696
2	MACERATOR SPRING (OLD TYPE)	MS001220
3	BRONZE BUSHING	MS002144
4	ROTARY SCRAPER ASSEMBLY	MSA00851
5	M16 X 12 GRUBSCREW (FLAT HEAD)	MS003717
6	M16 HEX HEAD SETS (8.8) - 30MM	MS002850

## Micro-maceratorer

MSA02679

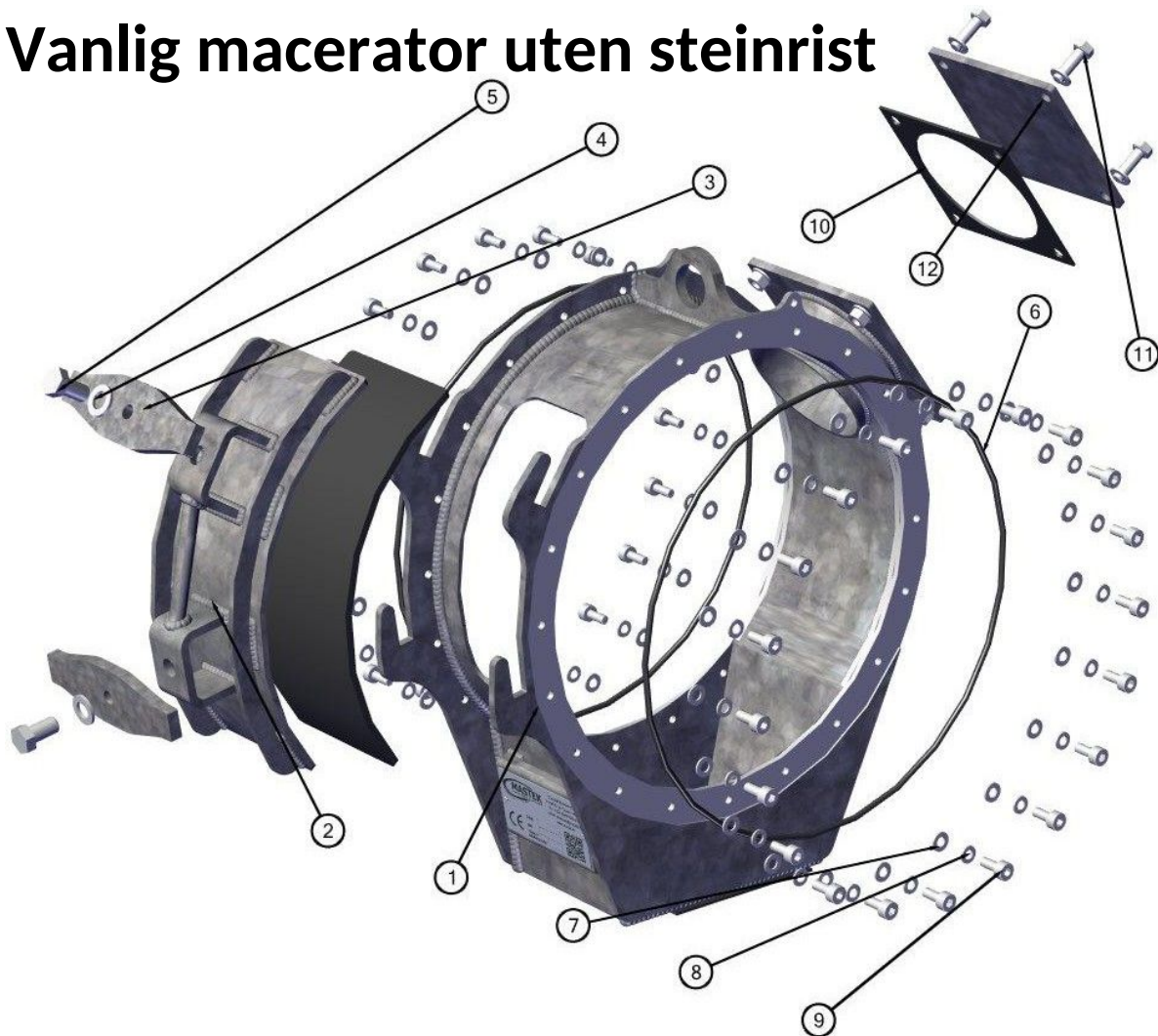


Number	Description	PartNo
1	ROTARY SCRAPER ASSEMBLY	MSA00851
2	BRONZE BUSHING	MS002144
3	CENTRE HUB WELD ASSEMBLY	MSA02678
4	MACERATOR SPRING (OLD TYPE)	MS001220



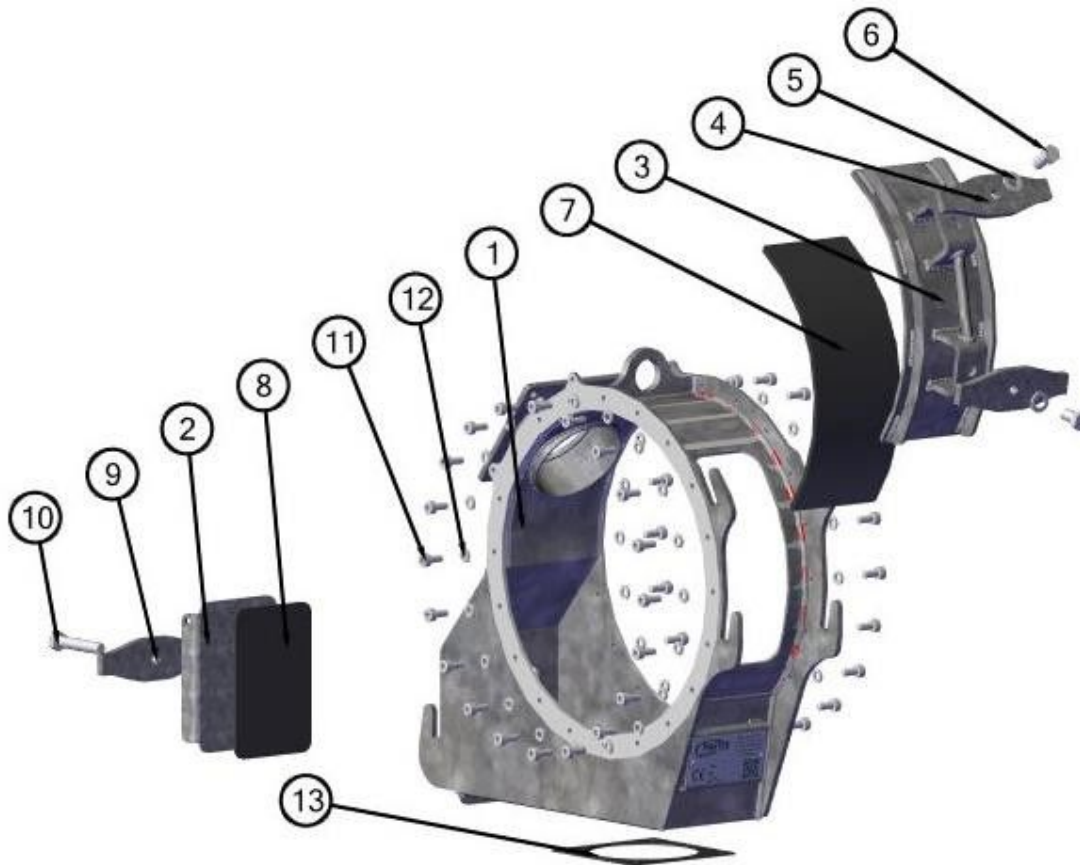
# Karosseri og tilgangsdører

## Vanlig macerator uten steinrist



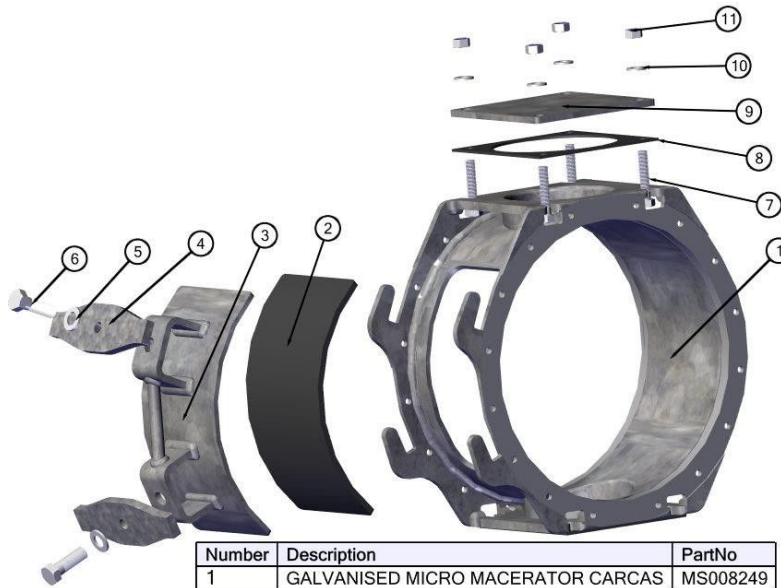
Number	Description	PartNo
1	MSA01333 GALVANISE	MS003977
2	MSA01336 GALVANISE	MS003966
3	MACERATOR COVER LATCH (THREADED)	MS001202
4	M16 PLAIN WASHER	MS000106
5	M16 HEX HEAD SETS (8.8) - 30MM	MS002850
6	SIDEPLATE O-RING	MS002261
7	M10 PLAIN WASHER	MS000211
8	M10 SPRING WASHER	MS000578
9	M10 X 25 SOCKET HEAD BOLT	MS002174
10	4" SQUARE FLANGE GASKET SEAL	MS000261
11	M12 HEX HEAD BOLT (8.8) - 40MM	MS000149
12	FLANGE BLANK (SQUARE)	MS001620

## Vanlig macerator med steinrist



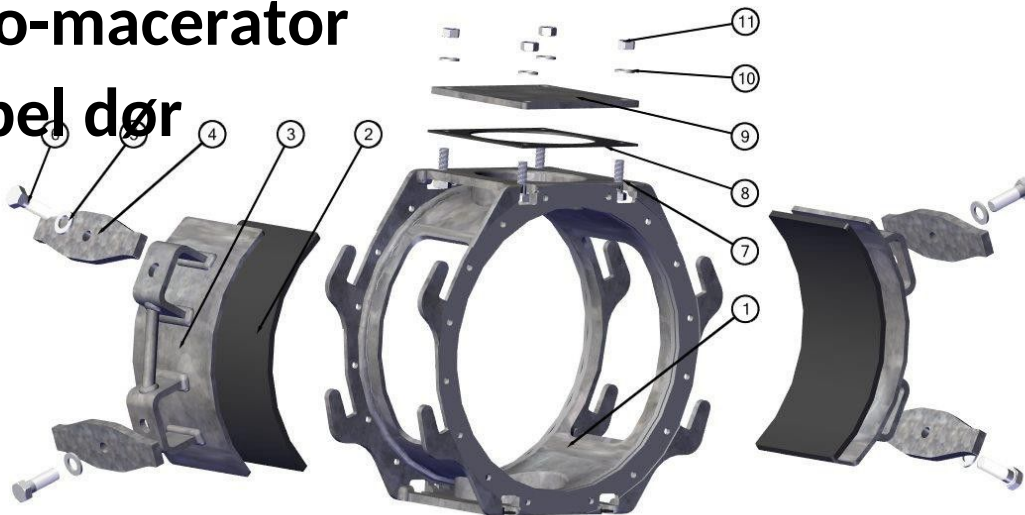
Number	Description	PartNo
1	GALVANISED CARCASS MACHINED	MS010759
2	GALVANISED MACERATOR COVER ASSEMBLY	MS010571
3	MACERATOR ACCESS DOOR MK4-B (GALVANISED)	MS003965
4	MACERATOR COVER LATCH (THREADED)	MS001202
5	M16 PLAIN WASHER	MS000106
6	M16 HEX HEAD SETS (8.8) - 30MM	MS002850
7	INSPECTION COVER SEAL 8MM (MK4-B)	MS003951
8	MACERATOR COVER SEAL	MS001206
9	MACERATOR COVER LATCH (THREADED)	MS001202
10	M16 HEX HEAD BOLT (10.9) - 90MM	MS000136
11	M10 X 25 SOCKET HEAD BOLT	MS002174
12	M10 SPRING WASHER	MS000578
13	4" SQUARE FLANGE GASKET SEAL	MS000261

# Micro-macerator enkel dør



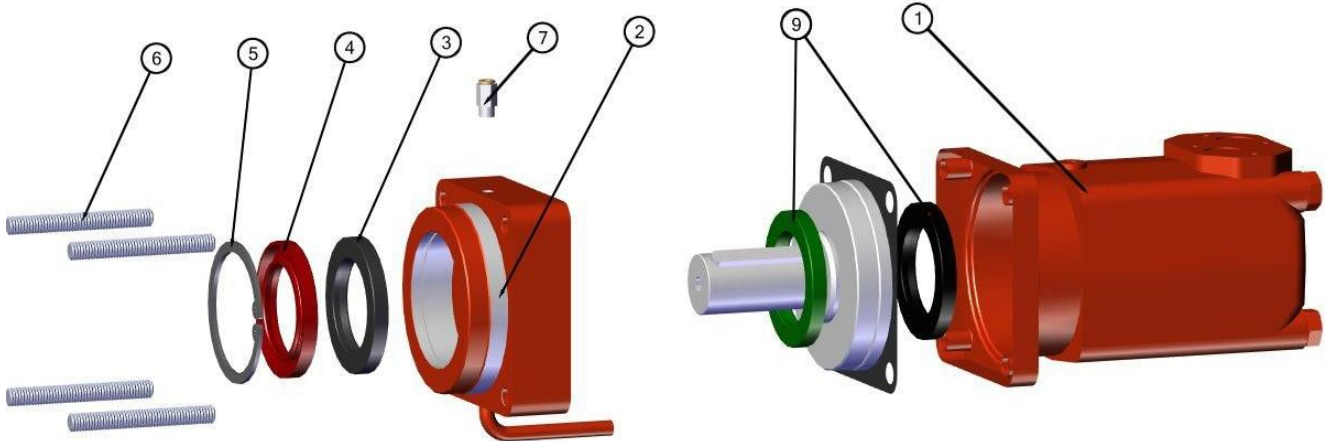
Number	Description	PartNo
1	GALVANISED MICRO MACERATOR CARCAS	MS008249
2	INSPECTION COVER SEAL 8MM	MS008260
3	GALVANISED ACCESS DOOR	MS008283
4	MACERATOR COVER LATCH (THREADED)	MS001202
5	M16 PLAIN WASHER	MS000106
6	M16 HEX HEAD BOLT (8.8) - 50MM	MS002501
7	M12 HEX HEAD SET (8.8) - 60MM	MS008418
8	4" SQUARE FLANGE GASKET SEAL	MS000261
9	FLANGE BLANK (SQUARE)	MS001620
10	M12 PLAIN WASHER	MS000103
11	M12 HEX HEAD LOCKNUT	MS000109

# Micro-macerator Dobbel dør



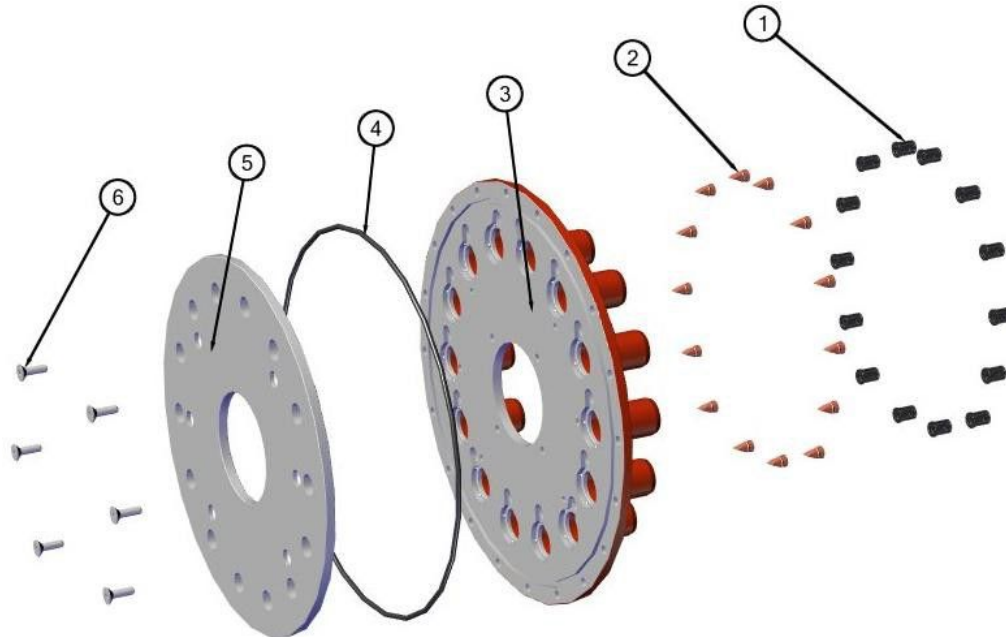
Number	Description	PartNo
1	GALVANISED MICRO MACERATOR CARCAS	MS010179
2	INSPECTION COVER SEAL 8MM	MS008260
3	GALVANISED ACCESS DOOR	MS008283
4	GALVANISED MACERATOR COVER LATCH	MS006952
5	M16 PLAIN WASHER	MS000106
6	M16 HEX HEAD BOLT (8.8) - 50MM	MS002501
7	M12 HEX HEAD BOLT (8.8) - 40MM	MS000149
8	4" SQUARE FLANGE GASKET SEAL	MS000261
9	FLANGE BLANK (SQUARE)	MS001620
10	M12 PLAIN WASHER	MS000103
11	M12 HEX HEAD LOCKNUT	MS000109

## Motor og isolasjonsblokk (vanlig macerator)



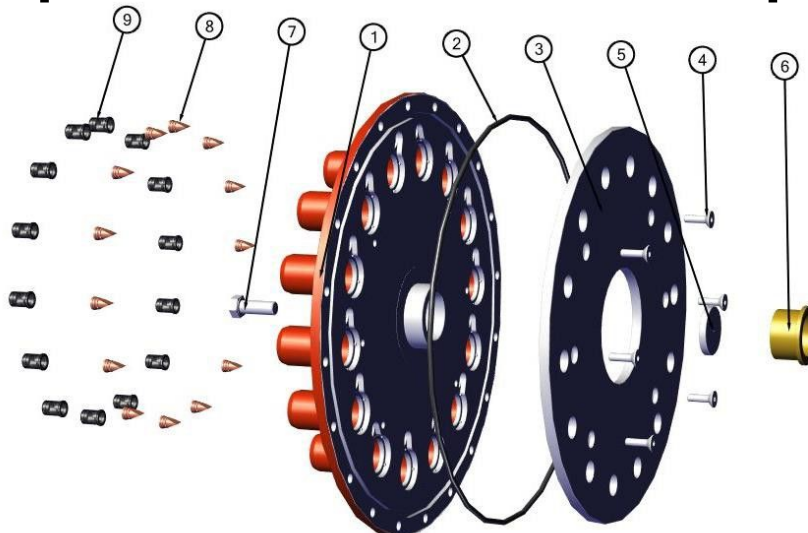
Number	Description	Patr No
1	HAC-OMT315CD (317CC)	MS003168
2	HYDRAULIC OIL ISOLATION BLOCK	MS007343
3	ROTARY SHAFT LIP SEAL 90X60X10 (S/S) (macerator)	MS007345
4	Slurry Seal 90X60X10	MS005457
5	INTERNAL CIRCLIP 90MM	MS006982
6	M12 X 100 THREADED STUD	MS007284
7	1/8" BSP Q-R GREASE PORT	MS006980
9	Motor Seal Kit	MS005397

## Sideplate motorside 28 utløp



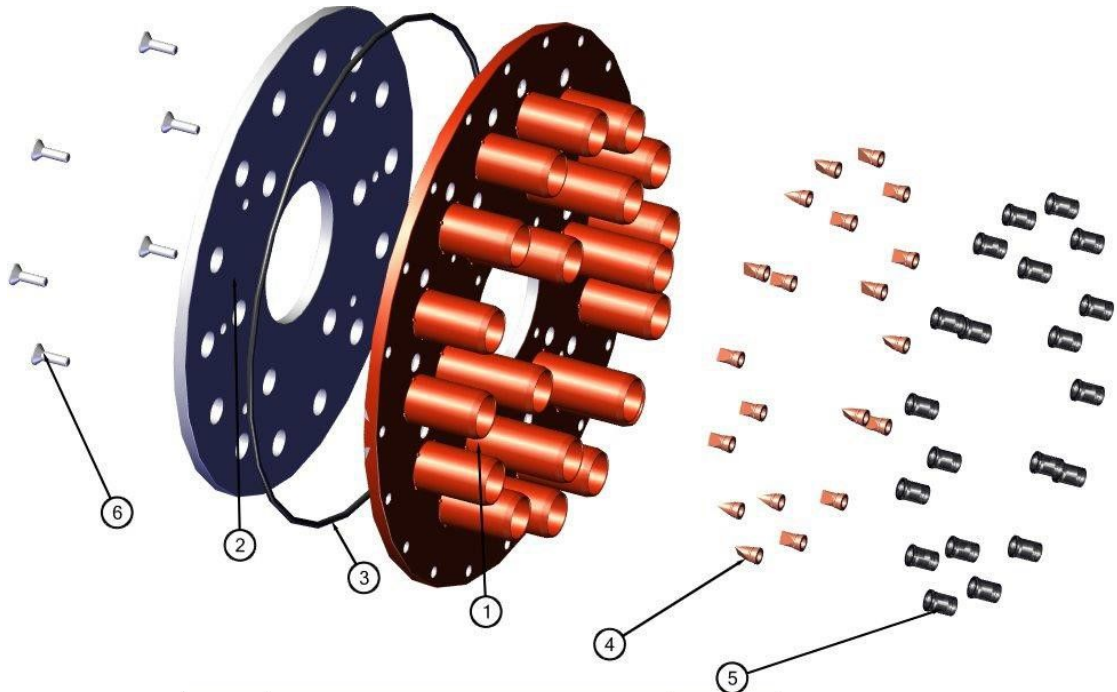
Number	Description	PartNo
1	BREATHER MOUNT	MS002057
2	DUCK BILL	MS001980
3	TMDB MK4-A SIDEPLATE PAINTED	MS003143
4	SIDEPLATE O-RING	MS002261
5	TMDB KNIFEPLATE (MK4)	MS002323
6	M10 X 25 CSK SCREW (STAINLESS STEEL)	MS003440

## Sideplate venstre side 28 utløp



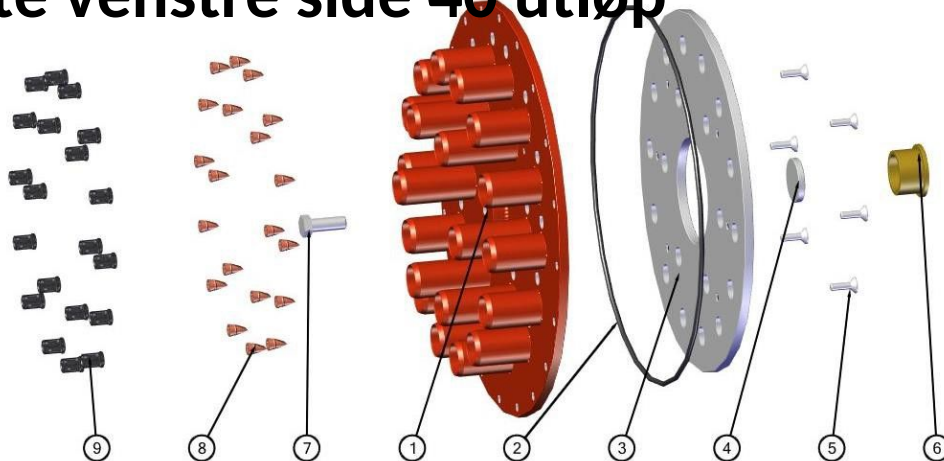
Number	Description	PartNo
1	SIDEPLATE PAINTED	MS003107
2	SIDEPLATE O-RING	MS002261
3	TMDB KNIFEPLATE (MK4)	MS002323
4	M10 X 25 CSK SCREW (STAINLESS STEEL)	MS003440
5	HEAVY WASHER	MS002170
6	BRONZE BUSHING	MS002165
7	M16 HEX HEAD SETS (8.8) - 45MM	MS000265
8	DUCK BILL	MS001980
9	BREATHER MOUNT	MS002057

# Sideplate motorside 40 utløp



Number	Description	PartNo
1	10M SISEPLATE PAINTED RAL 2002	MS008440
2	10M KNIFEPLATE (MK4)	MS002321
3	SIDEPLATE O-RING	MS002261
4	DUCK BILL	MS001980
5	BREATHER MOUNT	MS002057
6	M10 X 25 CSK SCREW (STAINLESS STEEL)	MS003440

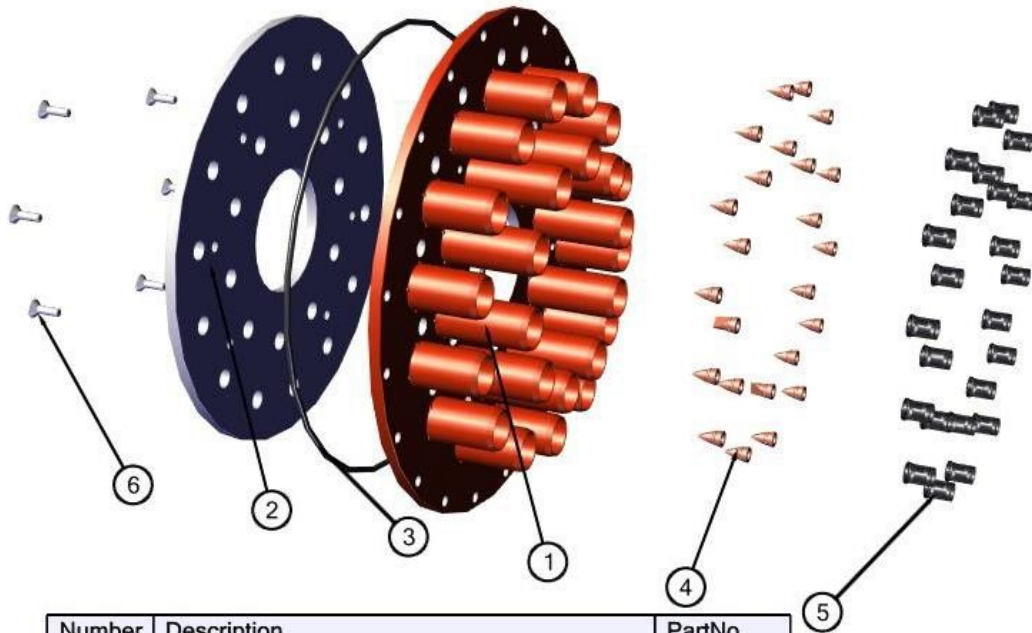
# Sideplate venstre side 40 utløp



Number	Description	PartNo
1	10M D.B. MK4-A SIDEPLATE PAINTED	MS003253
2	SIDEPLATE O-RING	MS002261
3	10M KNIFEPLATE (MK4)	MS002321
4	HEAVY WASHER	MS002170
5	M10 X 25 CSK SCREW (STAINLESS STEEL)	MS003440
6	BRONZE BUSHING	MS002165
7	M16 HEX HEAD SETS (8.8) - 45MM	MS000265
8	DUCK BILL	MS001980
9	BREATHER MOUNT	MS002057

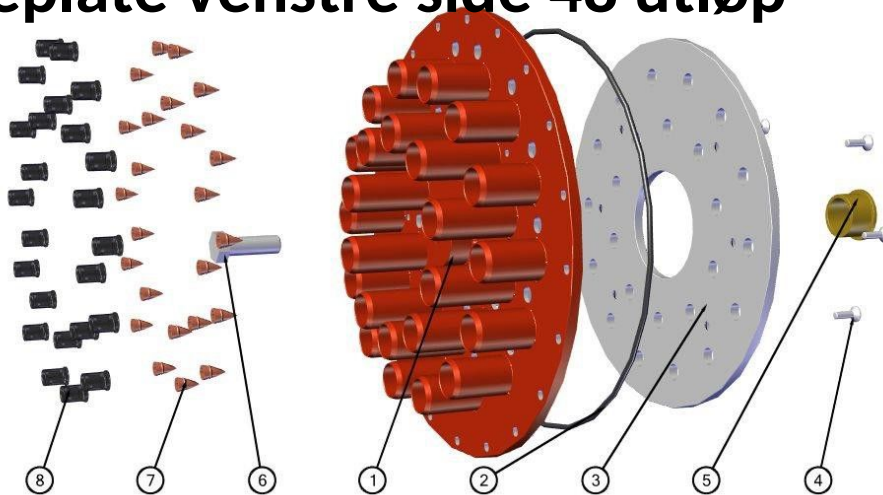


## Sideplate motorside 48 utløp



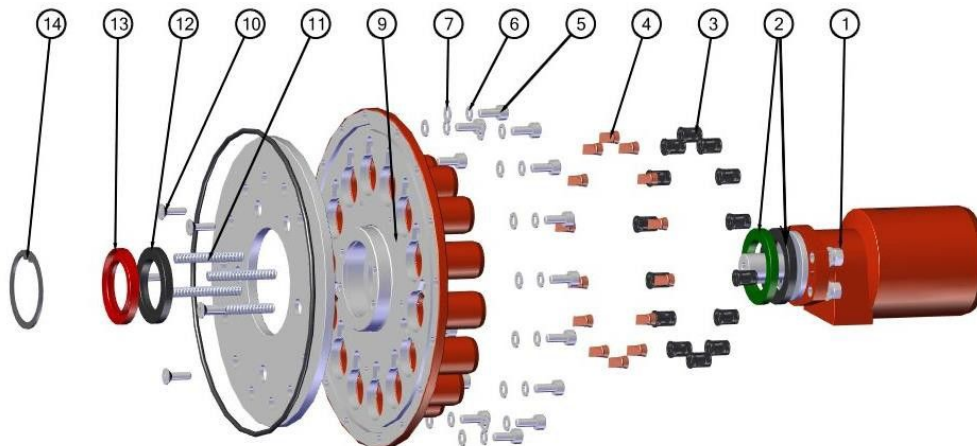
Number	Description	PartNo
1	MS003183 PAINT RAL 2002 (GLOSS)	MS003184
2	12M KNIFEPLATE (MK4) 20MM HOLES	MS006283
3	SIDEPLATE O-RING	MS002261
4	DUCK BILL	MS001980
5	BREATHER MOUNT	MS002057
6	M10 X 25 CSK SCREW (STAINLESS STEEL)	MS003440

## Sideplate venstre side 48 utløp



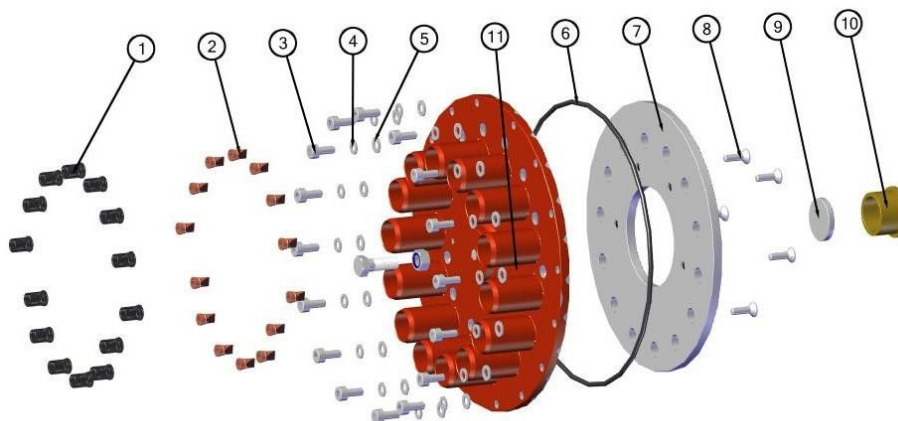
Number	Description	PartNo
1	12M D.B. MK4-B SIDEPLATE PAINTED	MS003713
2	SIDEPLATE O-RING	MS002261
3	12M KNIFEPLATE (MK4) 20MM HOLES	MS006283
4	M10 X 25 CSK SCREW (STAINLESS STEEL)	MS003440
5	BRONZE BUSHING	MS002165
6	M20 HEX HEAD BOLT (8.8) - 60MM	MS000121
7	DUCK BILL	MS001980
8	BREATHER MOUNT	MS002057

# Sideplate motorside Micro-macerator



Number	Description	Part No
1	MICRO MACERATOR MOTOR - TORQMOTOR TG 405	MS008669
2	Motor Seal Kit	MS005397
3	BREATHER MOUNT	MS002057
4	DUCK BILL	MS001980
5	M10 X 25 SOCKET HEAD BOLT	MS002174
6	M10 SPRING WASHER	MS000578
7	M10 PLAIN WASHER	MS000211
9	Micro Macerator Side plate painted	MS008254
10	M10 X 25 CSK SCREW (STAINLESS STEEL)	MS003440
11	M12 X 100 THREADED STUD	MS007284
12	Rotary Shaft Lip seal 90X60X10	MS007345
13	Slurry Seal 90X60X10	MS005457
14	INTERNAL CIRCLIP 90MM	MS006982

# Sideplate venstre side Micro-macerator



Number	Description	PartNo
1	BREATHER MOUNT	MS002057
2	DUCK BILL	MS001980
3	M10 X 25 SOCKET HEAD BOLT	MS002174
4	M10 SPRING WASHER	MS000578
5	M10 PLAIN WASHER	MS000211
6	SIDEPLATE O-RING (MICRO)	MS008442
7	MICRO MACERATOR KNIFE PLATE (20MM HOLES)	MS008438
8	M10 X 25 CSK SCREW (STAINLESS STEEL)	MS003440
9	HEAVY WASHER	MS002170
10	BRONZE BUSHING	MS002165
11	MICRO MACERATOR SIDEPLATE PAINTED	MS008288

